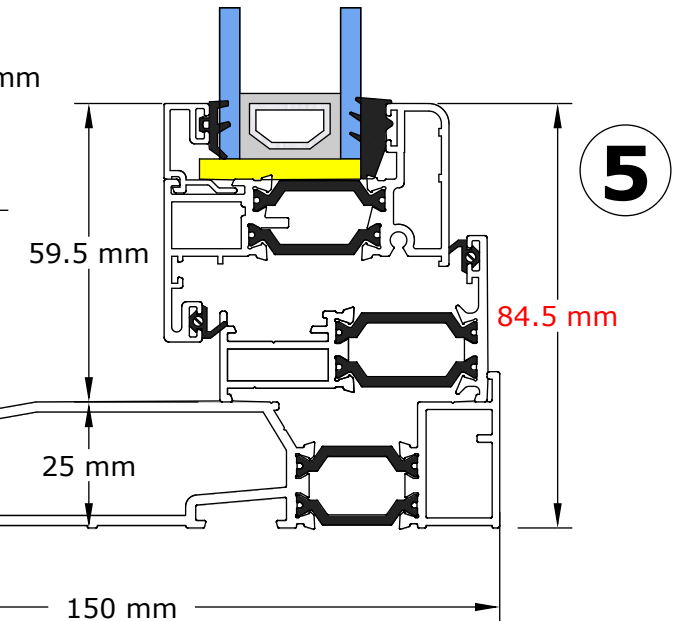
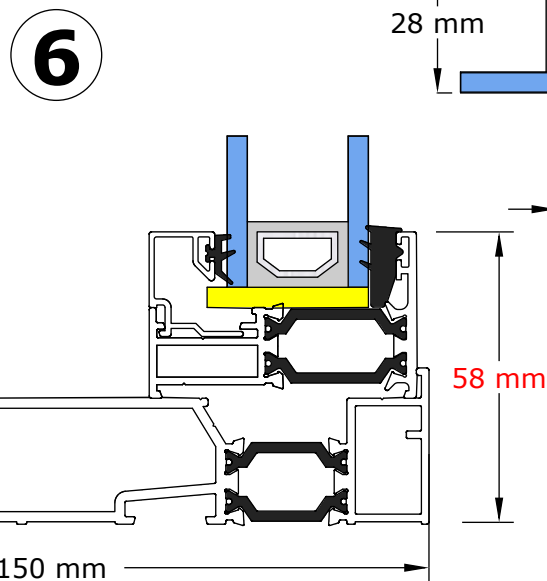
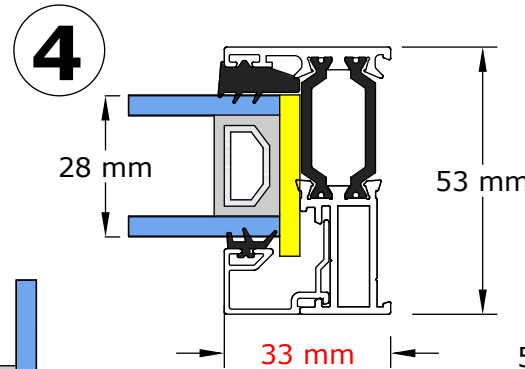
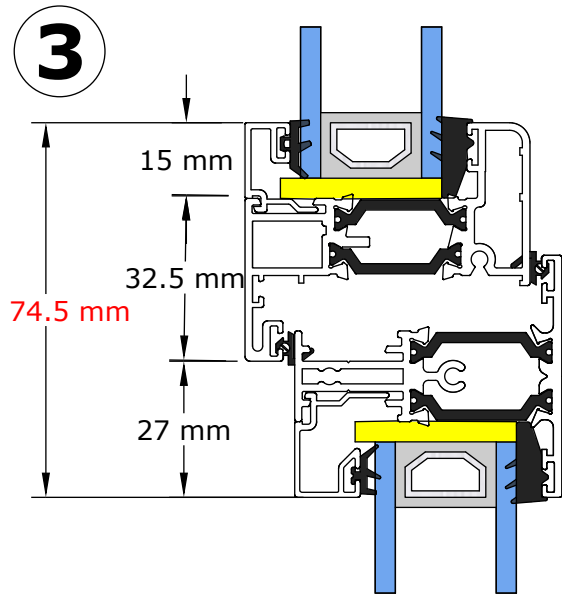
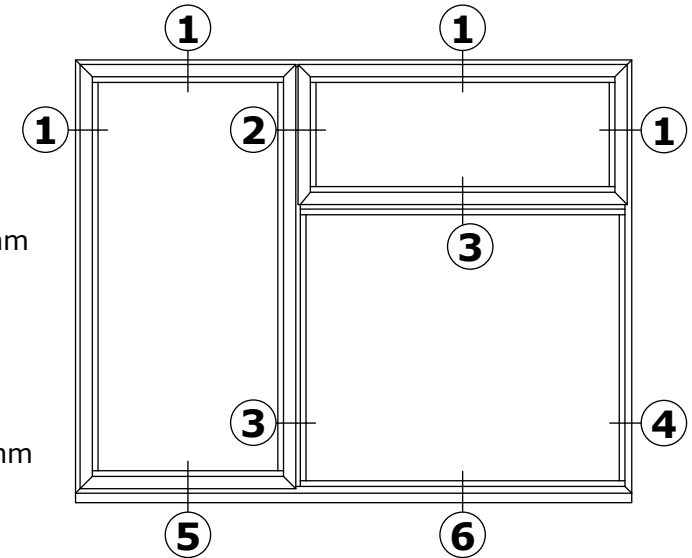
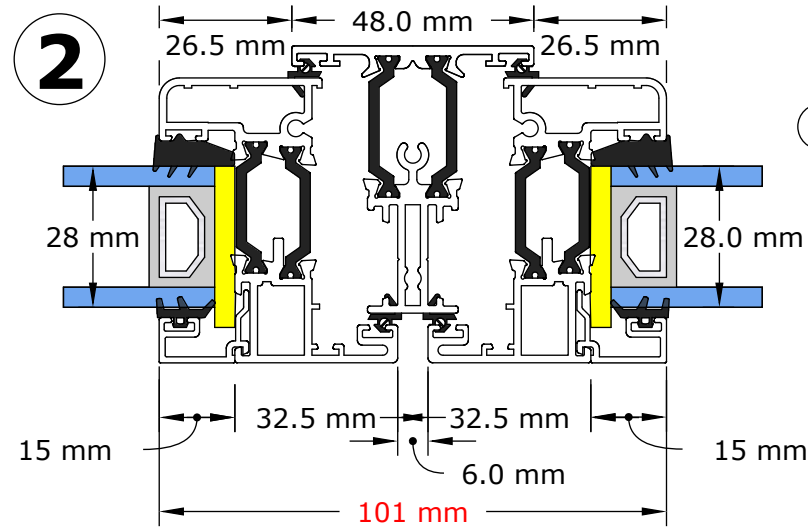
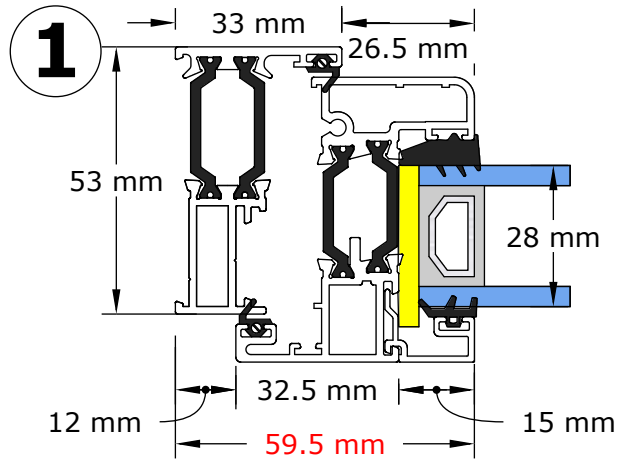


Sightlines: Aluminium 33mm Window- Square Sash

31/08/2016



Slide and Fold Ltd, 82 Curriers Close, Canley, Coventry. CV4 8AW .

Tel:024 76 694 162

Slide and Fold